



Switchgear type KTON-05W/1(6,6(10)) For rated 6,3 or 10kVA power



Switchgear type KTON-05W/1(6,6(10)) is an electric device designed for use underground mining, in workpits in non-explosive hazard conditions and on the ground in non-hazardous areas.

The device is equipped with power protection against short-circuits, overloads and the lowering of insulation resistance. Switchgear type KTON-05W/1(6,6(10)) covers capacity of the installed transformer series: 6,3kVA or 10kVA and the rated voltage of transformers type 500/230(133) VAC. The primary use of the switchgear type KTON-05W/1(6,6(10)) is power supply to electrical receivers with rated voltage of 230 VAC.

TECHNICAL DATA:

ingress protection	IP54
rated power	6,3 or 10kVA
rated voltage of power supply	500VAC
rated voltage of outlets	230(133)VAC
rated current of supply power terminal	50 A
rated current drain (1-4)	25 A
rated current drain (5-6)	16 A
number of 230V outlets	6
dimensions	1500x1000x370 mm (H x W x D)
weight	150 kg

CONSTRUCTION

The switchgear is manufactured from steel sheets and comprises of the following parts:

- supply and control gear chamber
- 500/230V transformer chamber

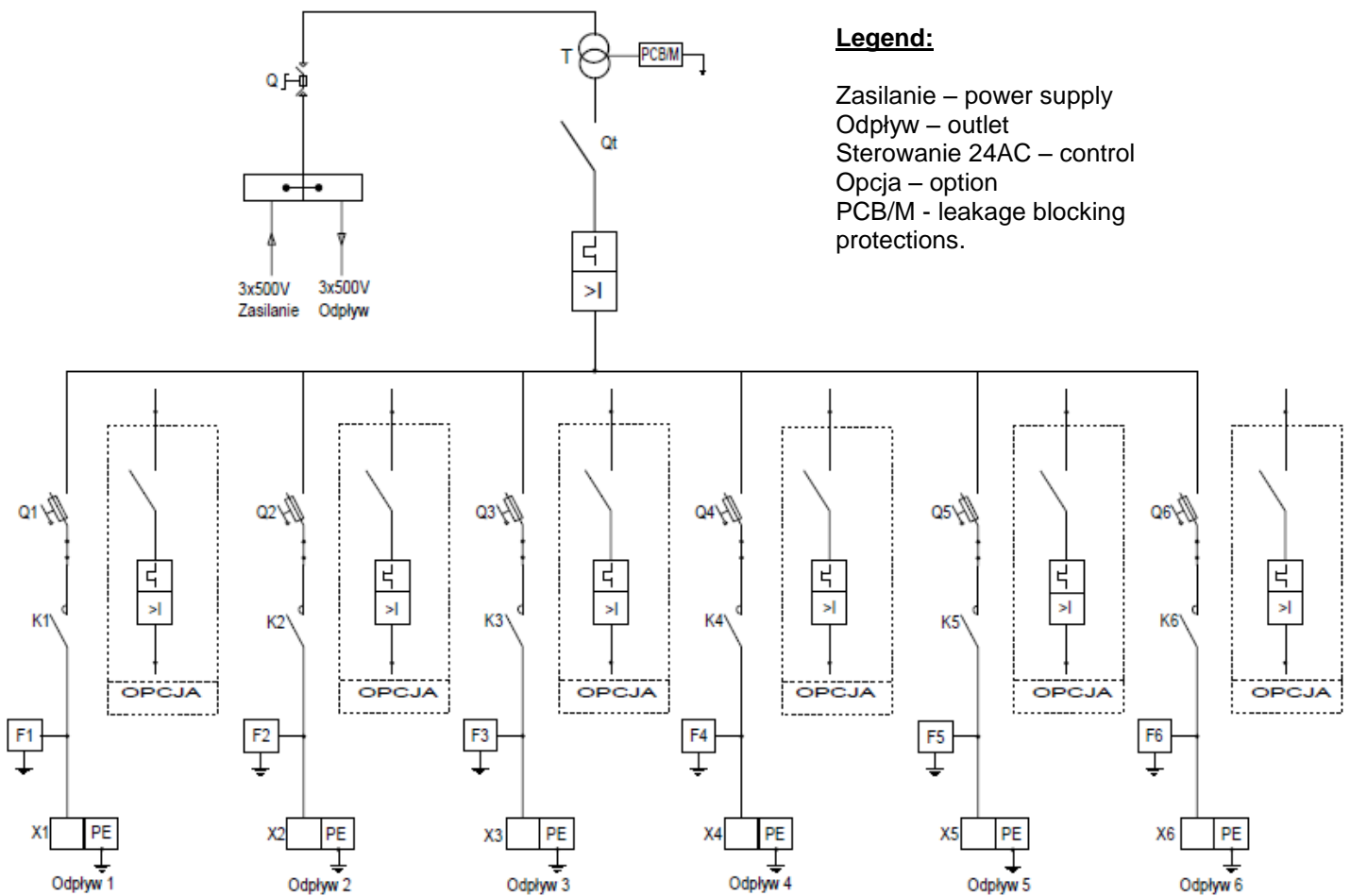
The whole is placed on the common carrier frame. The casing is equipped with brackets allowing for the switchgear to be hung on a chain or to place it directly on the ground.

MODE OF OPERATION

Controlling the 230V outlets is carried out in two modes: a LOCAL (LOKALNY) from the face of switchgear or REMOTE (ZDALNE) from of an external control cabinet or system.

On the 500V side the switchgear has a switch fuse, and on the 230V side switchgear has six outlets. Each outlet is equipped with switch fuse safety (optional motor protection) safeguarding against short circuits and overloads. Protection against electric shock is realised on the central - leakage protection and a leakage blocking protections.

SCHEMATIC DIAGRAM



Order should be submitted in writing or by fax to the address:

 **Instal-Service PL**

Spółka z ograniczoną odpowiedzialnością
Spółka komandytowa

58-506 Jelenia Góra, ul. Wrocławska 15a

tel. (+48 075) 64-57-950

fax. (+48 075) 64-57-951

e-mai: instal@instal-service.pl